



# McDermott Light & Signal

# MARINE LIGHTS

**LIGHTING  
YOUR  
WAY TO  
SAFETY**



**LIGHTS  
TO WORK**

**LIGHTS  
TO WARN**



**LIGHTS  
TO SAVE  
LIVES**



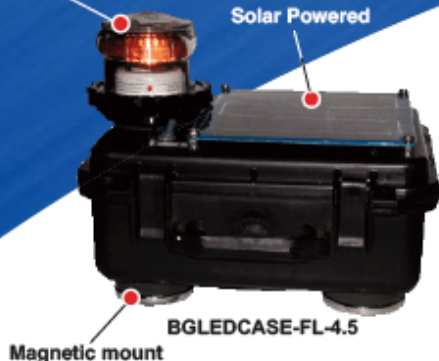
[www.mcdermottlight.com](http://www.mcdermottlight.com)

# BGLEDCASE

Solar LED Barge Navigation Lights

High-Power  
LEDs

Solar Powered



BGLEDCASE-FL-4.5

Magnetic mount

**Certified to meet  
requirements for unmanned  
barges per UL 1104**

**The most advanced solar barge  
navigation light available.  
Enjoy years of service with  
no maintenance and get the  
power of the sun.**

## SPECIFICATIONS:

<b>Range:</b>	3 nautical miles
<b>Mount:</b>	Magnetic or Flat Mount
<b>Light Source:</b>	LEDs rated up to 20,000 hrs.
<b>Material:</b>	High-impact polycarbonate
<b>Battery Life:</b>	Rechargeable, 2 - 4 years
<b>Autonomy:</b>	40 sunless days
<b>Weight:</b>	27 lbs.
<b>Dimensions:</b>	11 1/4" h x 13" w x 14 1/2" l - Mag 11 1/4" h x 13" w x 22" l - Flat



Flat Mount

BGLEDCASE-PORT-4.5

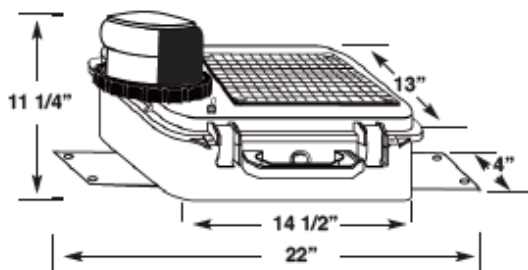


BGLEDCASE-STERN-4.5



BGLEDCASE-STAR-4.5

BGLEDCASE-4.5



# BGLED888

LED Barge Navigation Lights

**Certified to meet requirements for unmanned barges per UL 1104**

**The market leader in lightweight, rugged, certified barge navigation lights.**

**Runs for 40 nights on one set of standard alkaline batteries.**

## SPECIFICATIONS:

<b>Range:</b>	3 nautical miles
<b>Mount:</b>	Magnetic (Stainless)
<b>Light Source:</b>	LEDs rated up to 20,000 hrs
<b>Material:</b>	High-impact polycarbonate
<b>Battery Life:</b>	40 nights on standard alkaline
<b>Weight:</b>	7 lbs.
<b>Dimensions:</b>	11 1/2" h x 7" l x 4 1/4" w

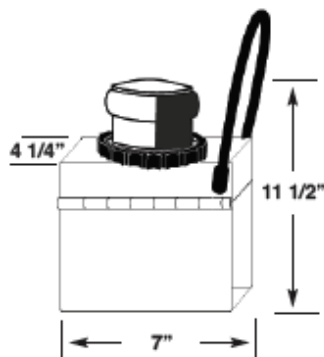


BGLED888-FL



BGLED888-PORT

BGLED888



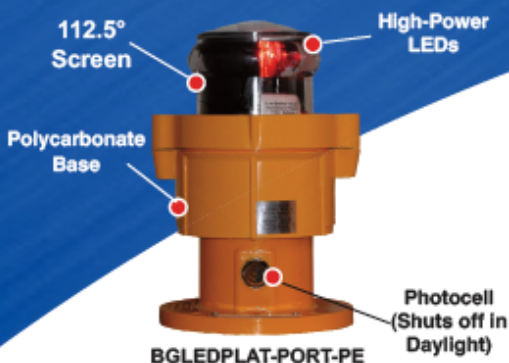
BGLED888-STAR

(718) 456-3606



# BGLEDPLAT

LED Barge Navigation Lights



**Certified to meet applicable sections of UL 1104**

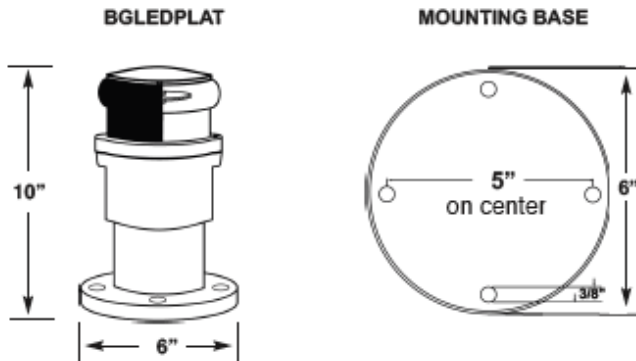
**Platform-mounted barge navigation lights enable you to use your own power source.**

**Get 18 months of light on one 12 volt air alkaline battery.**



## SPECIFICATIONS:

<b>Range:</b>	3 nautical miles
<b>Mount:</b>	Magnetic or Flat Mount
<b>Light Source:</b>	High-power LEDs
<b>Material:</b>	High-impact polycarbonate
<b>Battery Life:</b>	18 months on 12V air alkaline battery
<b>Power Source:</b>	12, 24 VDC; 120, 220 VAC
<b>Weight:</b>	5 lbs.
<b>Dimensions:</b>	10"h x 6" dia.



## Tophat Series Solar Lights

The most versatile, low-cost, solar solution for stand-alone locations. McDermott Tophats combine solar power with LED technology to provide years of maintenance-free operation.

### SPECIFICATIONS:

<b>Range:</b>	1-3 miles available
<b>Mount:</b>	Magnetic, Flat or Pipe Mount
<b>Lamp Source:</b>	High-power LEDs
<b>Material:</b>	High-impact polycarbonate
<b>Power Supply:</b>	NI-MH
<b>Autonomy:</b>	10 nights with no sun
<b>Flash Rates:</b>	15, 24, 30, 60 flashes per minute
<b>Weight:</b>	2 lbs.
<b>Dimensions:</b>	5" h x 7" dia.

High-Impact  
Polycarbonate

High-Power  
LEDs

TOPHAT-FLAT

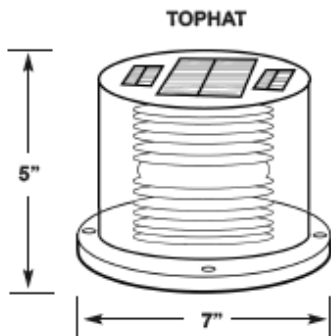
Mounting  
Holes

High-performance  
Solar Panel

TOPHATX

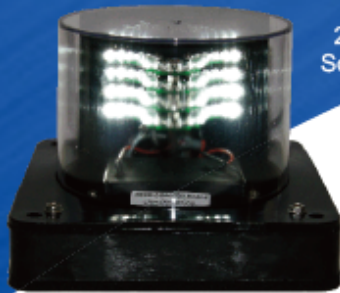
TOPHAT-BUNY

TOPHAT-PLAT



# TB3/TB6

LED Navigation Lights



225°  
Screen

TB6LED-MAST

**3 Mile Navigation Lights  
Certified to meet applicable  
sections of UL 1104**

**Three miles for vessels greater  
than 50 meters in length.  
Three miles of LED light for  
years of service and no bulb  
maintenance.**



135°  
Screen

TB3-TOW

### TB6LED-MAST SPECIFICATIONS:

**Range:** 6 nautical miles  
**Mount:** 7" x 7" Base; 6" x 6" holes on center  
**Light Source:** High-power LEDs  
**Material:** High-impact polycarbonate  
**Visibility Arc:** 225 degrees  
**Power Sources:** 12, 24, 32 VDC; 120, 220 VAC  
**Weight:** 6 lbs.  
**Dimensions:** 6"h x 7"l x 7"w



112.5°  
Screen

TB3-PORT

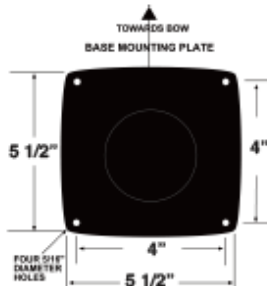
### TB3 SPECIFICATIONS:

**Range:** 3 nautical miles  
**Mount:** 5 1/2" x 5 1/2" Base;  
4" x 4" holes on center  
**Light Source:** High-power LEDs  
**Material:** High-impact polycarbonate  
**Visibility Arc:** 112.5, 135, 360 degrees  
**Power Sources:** 12, 24, 32 VDC;  
120, 220 VAC  
**Weight:** 2 lbs.  
**Dimensions:** 6"h x 5 1/2"l x 5 1/2"w



360°  
Screen

TB3-78-WHITE

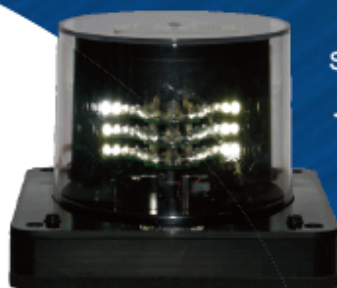


**2 Mile Navigation Lights  
Certified to meet applicable  
sections of UL 1104**

**Switch to McDermott  
LED Navigation Lights and stop  
wasting money on light bulbs.  
Our LED lights can be used with new  
or old alarm panels making them  
perfect for new builds or retrofits.  
Just ask for our -P panel option.**

**TB5LED-MAST SPECIFICATIONS:**

**Range:** 5 nautical miles  
**Mount:** 7" x 7" Base; 6" x 6" holes on center  
**Lamp Source:** High-power LEDs  
**Material:** High-impact polycarbonate  
**Visibility Arc:** 225 degrees  
**Power Sources:** 12, 24, 32 VDC; 120, 220 VAC  
**Weight:** 6 lbs.  
**Dimensions:** 6"h x 7"l x 7"w



225°  
Screen

**TB5LED-MAST**

**TB2 SPECIFICATIONS:**

**Range:** 2 nautical miles  
**Mount:** 5 1/2" x 5 1/2" Base;  
4" x 4" holes on center  
**Lamp Source:** High-power LEDs  
**Material:** High-impact polycarbonate  
**Visibility Arc:** 112.5, 135, 360 degrees  
**Power Sources:** 12, 24, 32 VDC;  
120, 220 VAC  
**Weight:** 3 lbs.  
**Dimensions:** 5"h x 5 1/2"l x 5 1/2"w



135°  
Screen

**TB2D-STERN**



112.5°  
Screen

**TB2D-PORT**



135°  
Screen

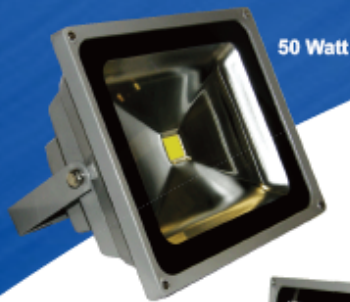
**TB2-266-TOW**

## LED Floodlights

Our Commercial LED Floodlights give you light that is high-powered, long-lasting, and vibration resistant.

Powder-coated housings protect components from harsh marine conditions in industrial applications.

Change to McDermott Commercial LED floodlights and stop changing light bulbs.



### SPECIFICATIONS:

Body Material:	Aluminum die casting
Dimensions:	Vary in size
Color:	Gray or Black
LED Rating:	50,000 hours
Wattage:	10 - 200 Watts
Lumens	700 - 12000 lm
Voltage:	85 to 260 VAC or 12 to 24 DC
IP Degree:	IP65 = Dust and water
Ambient Temperature Range	-40 + 60C
Flood:	120 degree spread
DC Model Polarity Protected	



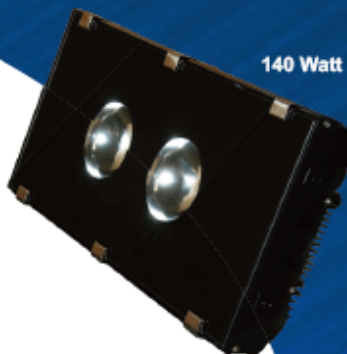
## LED Spotlights

Our LED Spotlights provide durability with a low amperage draw that maintains the lifespan of your alternator.

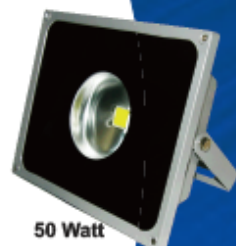
Avoid damaging your charging system by replacing your high power consumption halogen and sodium lamps with our green, low energy consumption LED lights.

### SPECIFICATIONS:

<b>Body Material:</b>	Aluminum die casting
<b>Dimensions:</b>	Vary in size
<b>Color:</b>	Gray or Black
<b>LED Rating:</b>	50,000 hours
<b>Wattage:</b>	10 - 200 Watts
<b>Lumens</b>	700 - 12000 lm
<b>Voltage:</b>	85 to 260 VAC or 12 to 24 DC
<b>IP Degree:</b>	IP65 = Dust and water
<b>Ambient Temperature Range</b>	-40 + 60C
<b>Spot:</b>	60 degree spread
<b>DC Model Polarity Protected</b>	



140 Watt



50 Watt



30 Watt



10 Watt



80 Watt



200 Watt

# BRIDGE

LED Bridge Lights

## McDermott LED Bridge Lights

### Easy Installation, Low Cost LED Bridge Light



Series: BRIDGE-TUBE

All stainless steel fittings  
Range from 1 to 3 miles  
Meets regulations for bridge lights  
Mount lights up to 50 feet below bridge  
Innovative mounting configuration for easy installation.  
Available in Solar Power

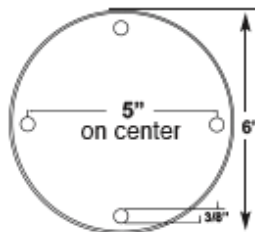
#### OPTIONS:

Range:	3 miles as per CFR33
Mount:	Tube mount
Light Source:	LED
Voltage:	12 VDC; 120, 220 VAC
Colors:	Red, Green - 180 screen
Tube Dimensions:	2 1/2" dia. Stainless Steel 6 ft., 8 ft., or 10 ft. lengths



Series: PLATLED

#### MOUNTING BASE



#### PLATFORM LED LIGHT SPECIFICATIONS:

Range:	1 - 5 Miles
Mount:	Pedestal
Light Source:	LED
Colors:	Red, Green
Material:	High-impact polycarbonate
Voltages Available:	12 VDC; 120, 220 VAC
Weight:	5 lbs.
Dimensions:	6" dia. base x 11" h
Battery Consumption:	.350 Ah per night
Mounting:	4 holes on flange



## McDermott Boatsense Remote Monitoring system

Get a text message on up to three cellphones when trouble conditions arise. A low-cost warning can save thousands of dollars or sometimes much more.



### SPECIFICATIONS:

- Multiple zones:** Monitor up to three zones for trouble.  
**Trouble sensors:** Monitor bilge water, tank levels, battery conditions, smoke and fire, humidity location, intrusion, security and motion.  
**Voltage:** 12 Volts  
**Dimensions:** 1" h x 6" l x 3" w  
**Weight:** 7 oz.  
**Cellular Service:** U.S. and Canadian versions available.

### Wiring Diagram:



## Solar Bilge Alarm

- Instant notification of emergency conditions
- High-decibel Siren
- High-intensity LED Strobe
- Can accept normally open or normally closed input circuits.
- Easily integrates with McDermott Boatsense Monitoring System.



# BUOYS

Lighted Buoys



BUOY-B24-TOPHAT



BUOY-B24-BZLED

## Lighted Buoys

Design your own lighted buoy.  
Combine a McDermott light  
with a high-performance  
polyethylene base.  
Adjust the height to meet your  
specifications.

### BUOY BASE SPECIFICATIONS:

- Material:** Polyethylene - Meets ASTM D4976 Group 2, Class 2, Grade 3
- Dimensions:** 10" h x 24" dia.
- Weight:** 20 lbs.
- Options:** Reflectorized tape, Foam-filled, Extension Collar
- Shipping:** Can be shipped via standard parcel services for low-cost, fast delivery.

### Making Your Own Buoy Light Combination:



21" Collar



Buoy



Harness



Clamp



Ready to Deploy



3 Feet  
Above Water



# DREDGE LIGHTS

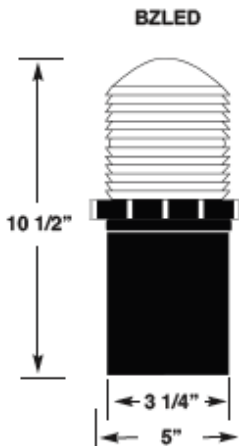
Dredge Line Lights

**Certified to meet  
applicable sections of UL 1104  
or CFR33 Subpart 66**

**Long-lasting, high-visibility  
dredge line marker lights.  
Whether your project spans two  
months or two years, we have the  
right light for you.**

## BZLED-DREDGE SPECIFICATIONS:

<b>Range:</b>	2 nautical miles
<b>Mount:</b>	Pipe, Bolt or Magnetic Mount
<b>Light Source:</b>	High-power LEDs
<b>Material:</b>	High-impact polycarbonate
<b>Battery Life:</b>	4 months on 6V alkaline battery
<b>Flashrates:</b>	60 flashes per minute
<b>Weight:</b>	3 lbs.
<b>Dimensions:</b>	10 1/2" h x 3 1/4" dia.



**(718) 456-3606**

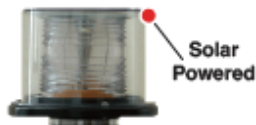


# ANCHOR LIGHTS

LED Barge Anchor Lights



ANCHOR-RR-DELUX-BH



TOPHAT-MAG



ANCHOR-266



ANCHOR-888-DELUX

## McDermott LED Barge Anchor Lights

Meet applicable sections of UL 1104 for mooring unmanned barges.

We have many low-cost options for meeting your barge anchor light needs. One standard alkaline battery will last 90 nights or our solar Tophat will last for years.

### BARGE LIGHT SPECIFICATIONS:

<b>Range:</b>	1 nautical mile
<b>Mount:</b>	Magnetic or Stand-alone
<b>Light Source:</b>	High-powered LEDs
<b>Material:</b>	High-impact polycarbonate
<b>Weight:</b>	4 lbs.

### ANCHOR-RR-DELUX-BH

Protect your battery in a high-impact polycarbonate case, with a magnetic mount on the bottom, and a bail handle for easy transport.

### TOPHAT-MAG

Go solar and stop buying batteries. These rechargeable power sources can last more than five years.

### ANCHOR-266

Least expensive, snaps on top of battery as shown, 90 nights on one alkaline 6V, 20 AH battery.

### ANCHOR-888-DELUX

Double your nights to 180 nights by using two batteries. Magnetic mount, and bail handle for easy transport.



## Custom Lights



### High Intensity Arc Light

- 2 Million Candlepower
- 3 Amp drain
- 2,000 hour HID Technology
- 5 lbs.; 7" h x 6" l x 12" w

### 9 Solar

- Maintenance-free
- One-mile visibility
- Solar-powered
- Low-cost
- Self-contained
- LED



### Custom BZLED Lights

- High-powered LEDs
- Multiple flashrates available
- Custom configurable
- Many mounting options
- LED

### Peep Light

- All LED steering light
- Velcro for easy mounting
- Waterproof strap and plug
- Can connect to flashing amber barge lights.



### Engine Room Siren Strobe

- Waterproof siren
- Red, flashing, 60 FPM
- Mounting tabs
- 12, 24, 120 Volts

### Driftlights

- Gillnet marker light
- Amber, Red, White, Blue
- 4 weeks on 4 "AA" batteries
- Buoy kit available
- High-impact polycarbonate



### Range Lights

- High-Intensity
- Focused range
- High-visibility
- High-impact polycarbonate
- LED
- Also available as Solar Powered

### Solar Peep Light

- Steering light
- Solar-powered
- Self-contained
- Just clamp on
- No wires



### CUSTOM:

**COLORS:** Red, Green, White, Amber, Blue, Multi

**FLASH:** 15, 30, 60 FPM; Morse Code; IALA

**POWER:** 12, 24 VDC; 120, 220 VAC; Solar

**INTENSITY:** Range 1 - 6 miles

**APPLICATIONS:** Call Us!

(718) 456-3606

**Bilge Alarms**  
**Dock Lights**  
**Range Lights**  
**Bridge Lights**  
**Hurricane Lights**  
**Obstruction Marker Lights**  
**Docking Guidance Lights**



# MARINE LIGHTS



**LIGHTS  
TO WORK**



**LIGHTS  
TO WARN**



**LIGHTS  
TO SAVE  
LIVES**



**McDermott Light  
& Signal**  
**(718) 456-3606**