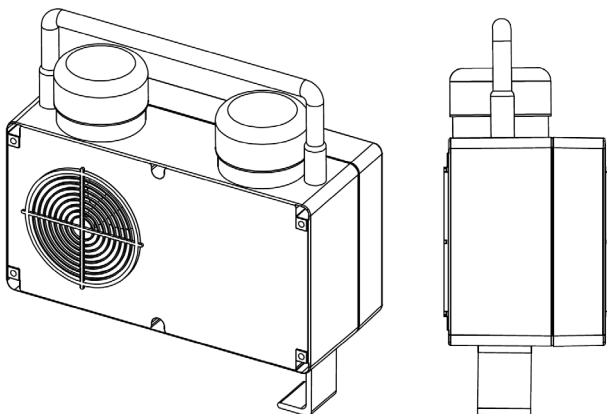
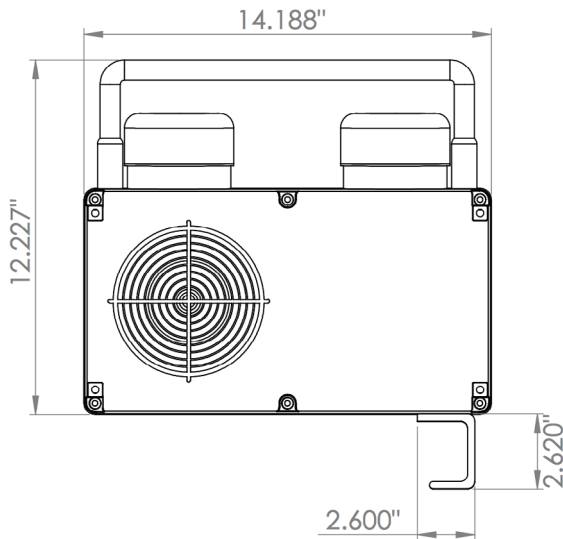




RR4-NYCT-1



THIRD RAIL VOLTAGE PROTECTOR

Automatically notifies workers that the power to the third rail has been restored

- High-impact ABS enclosure with captive screws
- Dual screened sirens rated for 125dB at 1 yard
- Dual strobes with a white and red lens
- Two heavy duty mueller clips with rubber boots and 20 feet of cable
- Maximum continuous run time is 3 minutes in alarm state
- Red clip for third rail and black clip for running rail (reverse polarity protected)
- Unit rated to withstand 800V DC
- Convenient carry handle and mounting hook made of high-impact flame retardant poly-carbonate
- Operating temperature range: -20° F to 125° F
- Box Dimensions:
14.188" L X 5.938" W X 12.228" H
- Weight: 13 lbs

