



# McDermott Light & Signal

# MARINE LIGHTS

**LIGHTING  
YOUR  
WAY TO  
SAFETY**



**LIGHTS  
TO WORK**

**LIGHTS  
TO WARN**



**LIGHTS  
TO SAVE  
LIVES**



[www.mcdermottlight.com](http://www.mcdermottlight.com)

# BGLEDCASE

Solar LED Barge Navigation Lights



**Certified to meet requirements for unmanned barges per UL 1104**

The most advanced solar barge navigation light available. Enjoy years of service with no maintenance and get the power of the sun.

## SPECIFICATIONS:

Range:	3 nautical miles
Mount:	Magnetic or Flat Mount
Light Source:	LEDs rated up to 20,000 hrs.
Material:	High-impact polycarbonate
Battery Life:	Rechargeable, 2 - 4 years
Autonomy:	40 sunless days
Weight:	27 lbs.
Dimensions:	11 1/4"h x 13"w x 14 1/2"l - Mag 11 1/4"h x 13"w x 22"l - Flat

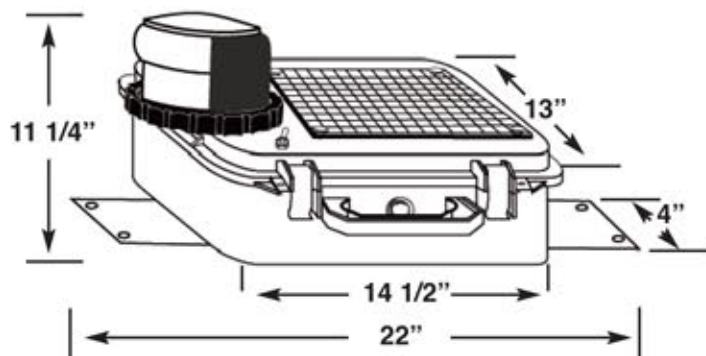


BGLEDCASE-STERN-4.5



BGLEDCASE-PORT-MAG-PE-SB-4.5

BGLEDCASE-4.5





# BGLED888

LED Barge Navigation Lights

**Certified to meet requirements for unmanned barges per UL 1104**

**The market leader in lightweight, rugged, certified barge navigation lights. Runs for 40 nights on one set of standard alkaline batteries.**



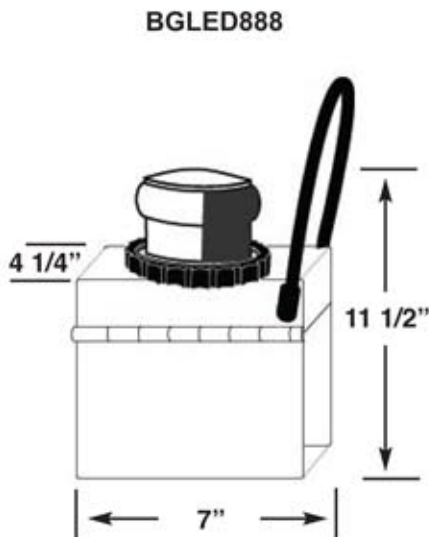
BGLED888-PORT

## SPECIFICATIONS:

Range:	3 nautical miles
Mount:	Magnetic (Stainless)
Light Source:	LEDs rated up to 20,000 hrs
Material:	High-impact polycarbonate
Battery Life:	40 nights on standard alkaline
Weight:	7 lbs.
Dimensions:	11 1/2" h x 7" l x 4 1/4" w



BGLED888-STAR



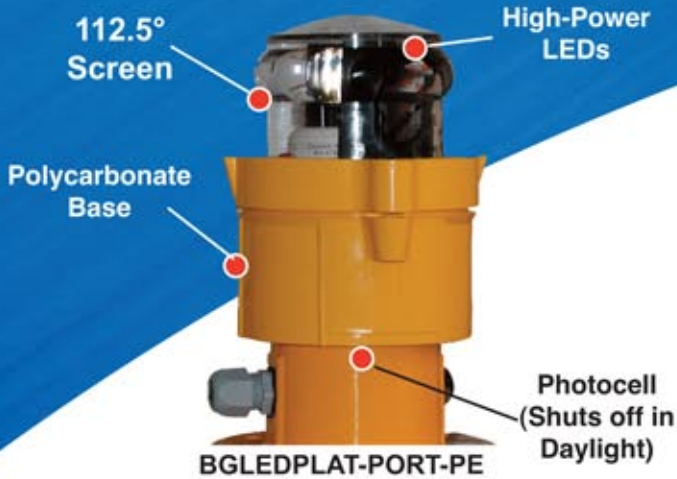
BGLED888-FL-PEEP

(718) 456-3606



# BGLEDPLAT

LED Barge Navigation Lights



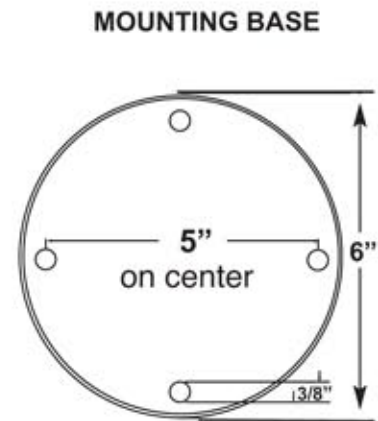
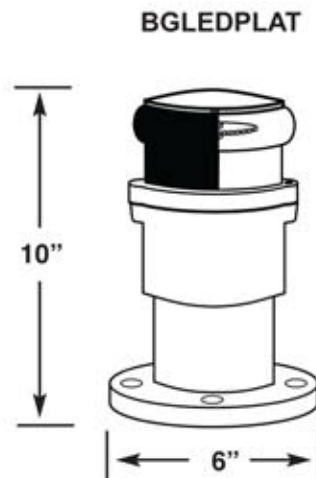
**Certified to meet applicable sections of UL 1104**

**Platform-mounted barge navigation lights enable you to use your own power source.**

**Get 18 months of light on one 12 volt air alkaline battery.**

## SPECIFICATIONS:

<b>Range:</b>	3 nautical miles
<b>Mount:</b>	Magnetic or Flat Mount
<b>Light Source:</b>	High-power LEDs
<b>Material:</b>	High-impact polycarbonate
<b>Battery Life:</b>	18 months on 12V air alkaline battery
<b>Power Source:</b>	12, 24 VDC; 120, 220 VAC
<b>Weight:</b>	5 lbs.
<b>Dimensions:</b>	10"h x 6" dia.





## Peep Lights

### Drift Peep Light

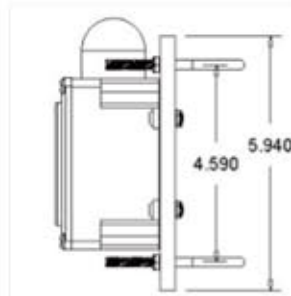
- Waterproof
- Screw Cap turns light on/off
- Automatic photo sensor shut-off
- Velcro strap to allow for easy mounting
- Runs for ten (10) nights on four (4) AA alkaline batteries



**DRIFTLIGHT-PEEP**

### Solar Peep Light

- Self-contained unit, sets up in minutes
- Stainless steel U-Bolt brackets
- UV resistant lens and case
- Replaceable battery pack with a life expectancy of 3 to 8 years
- High efficiency, premium grade solar panel
- Waterproof, neoprene on/off switch
- Automatic photo sensor shut-off



**PEEP-SOLAR-4X4-GR-BL-PLATE-U**

### Peep Light connected to Flashing barge light

- Easily connects to flashing amber barge light via cannon plug
- Velcro strip to allow for easy mounting
- UV resistant lens and case
- Barge light runs on two (2) - 6V alkaline spring batteries
- Magnetic mount barge light
- 25 ft. cable to peep light
- Waterproof Neoprene on/off switch
- Automatic photo sensor shut-off



**PEEP-LIGHT-4LED-25FT-CANNON**

# ANCHOR LIGHTS

LED Barge Anchor Lights



ANCHOR-RR-DELUX-BH



TOPHAT-MAG



ANCHOR-SP



ANCHOR-888-DELUX

## McDermott LED Barge Anchor Lights

Meet applicable sections of UL 1104 for mooring unmanned barges.

We have many low-cost options for meeting your barge anchor light needs. One standard alkaline battery will last 90 nights or our solar Tophat will last for years.

### BARGE LIGHT SPECIFICATIONS:

Range:	1 nautical mile
Mount:	Magnetic or Stand-alone
Light Source:	High-powered LEDs
Material:	High-impact polycarbonate
Weight:	4 lbs.

### ANCHOR-RR-DELUX-BH

Protect your battery in a high-impact polycarbonate case, with a magnetic mount on the bottom, and a bail handle for easy transport.

### TOPHAT-MAG

Go solar and stop buying batteries. These rechargeable power sources can last more than five years.

### ANCHOR-SP

Least expensive, snaps on top of battery as shown, 90 nights on one alkaline 6V, 20 AH battery.

### ANCHOR-888-DELUX

Double your nights to 180 nights by using two batteries. Magnetic mount, and bail handle for easy transport.



# DREDGE LIGHTS

Dredge Line Lights

## Dredge Lights to meet applicable sections of 33CFR 88.15

Long-lasting, high-visibility dredge line marker lights. Whether your project spans two months or two years, we have the right light for you.

### BZLED-DREDGE SPECIFICATIONS:

Range:	2 nautical miles
Mount:	Pipe, Bolt or Magnetic Mount
Light Source:	High-power LEDs
Material:	High-impact polycarbonate
Battery Life:	4 months on 6V alkaline battery
Flashrates:	60 flashes per minute
Weight:	3 lbs.
Dimensions:	10 1/2" h x 3 1/4" dia.



BZLED-DREDGE  
Operates  
4 months on  
1 Alkaline Battery



DREDGE-888  
Operates  
8 months on  
2 Alkaline  
Batteries



BZDREDGE-BUOY-DOUBLE-RED



TOPHAT-DREDGE



PLAT-DREDGE

(718) 456-3606



**2 Mile Navigation Lights  
Certified to meet applicable  
sections of UL 1104**

**Switch to McDermott  
LED Navigation Lights and stop  
wasting money on light bulbs.  
Our LED lights can be used with new  
or old alarm panels making them  
perfect for new builds or retrofits.  
Just ask for our -P panel option.**



225°  
Screen

**TB5LED-MAST**

**TB5LED-MAST SPECIFICATIONS:**

<b>Range:</b>	5 nautical miles
<b>Mount:</b>	7" x 7" Base; 6" x 6" holes on center
<b>Lamp Source:</b>	High-power LEDs
<b>Material:</b>	High-impact polycarbonate
<b>Visibility Arc:</b>	225 degrees
<b>Power Sources:</b>	12, 24, 32 VDC; 120, 220 VAC
<b>Weight:</b>	6 lbs.
<b>Dimensions:</b>	6"h x 7"l x 7"w



135°  
Screen

**TB2D-STERN**

**TB2 SPECIFICATIONS:**

<b>Range:</b>	2 nautical miles
<b>Mount:</b>	5 1/2" x 5 1/2" Base; 4" x 4" holes on center
<b>Lamp Source:</b>	High-power LEDs
<b>Material:</b>	High-impact polycarbonate
<b>Visibility Arc:</b>	112.5, 135, 360 degrees
<b>Power Sources:</b>	12, 24, 32 VDC; 120, 220 VAC
<b>Weight:</b>	3 lbs.
<b>Dimensions:</b>	5"h x 5 1/2"l x 5 1/2"w



112.5°  
Screen

**TB2D-PORT**



135°  
Screen

**TB2-266-TOW**



# TB3/TB6

LED Navigation Lights



225°  
Screen

TB6LED-MAST

**3 Mile Navigation Lights  
Certified to meet applicable  
sections of UL 1104**

**Three miles for vessels greater  
than 50 meters in length.  
Years of service, and no bulb  
maintenance.**



135°  
Screen

TB3-TOW

## TB6LED-MAST SPECIFICATIONS:

**Range:** 6 nautical miles  
**Mount:** 7" x 7" Base; 6" x 6" holes on center  
**Light Source:** High-power LEDs  
**Material:** High-impact polycarbonate  
**Visibility Arc:** 225 degrees  
**Power Sources:** 12, 24, 32 VDC; 120, 220 VAC  
**Weight:** 6 lbs.  
**Dimensions:** 6"h x 7"l x 7"w



112.5°  
Screen

TB3-PORT

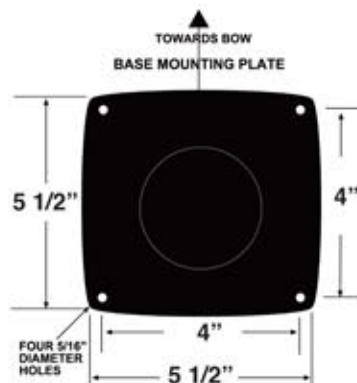
## TB3 SPECIFICATIONS:

**Range:** 3 nautical miles  
**Mount:** 5 1/2" x 5 1/2" Base;  
4" x 4" holes on center  
**Light Source:** High-power LEDs  
**Material:** High-impact polycarbonate  
**Visibility Arc:** 112.5, 135, 360 degrees  
**Power Sources:** 12, 24, 32 VDC;  
120, 220 VAC  
**Weight:** 2 lbs.  
**Dimensions:** 6"h x 5 1/2"l x 5 1/2"w



360°  
Screen

TB3-78-WHITE



## LED Floodlights

Our Industrial LED Floodlights give you light that is high-powered, long-lasting, and vibration resistant.

Powder-coated housings protect components from harsh marine conditions in industrial applications.

Change to McDermott LED floodlights and stop changing bulbs.

### SPECIFICATIONS:

<b>Body Material:</b>	Aluminum die casting
<b>Dimensions:</b>	Vary in size
<b>Color:</b>	Gray housing
<b>LED Rating:</b>	50,000 hours
<b>Wattage:</b>	10 - 200 Watts
<b>Lumens</b>	700 - 12000 lm
<b>Voltage:</b>	85 to 260 VAC or 12 to 24 DC
<b>IP Degree:</b>	IP65 = Dust and water
<b>Ambient Temperature Range</b>	-40 + 60C
<b>Flood:</b>	120 degree spread
<b>DC Model Polarity Protected</b>	



10 Watt



20 Watt



30 Watt



50 Watt



80 Watt



100 Watt



140 Watt



200 Watt



## LED Spotlights

Our LED Spotlights provide durability with a low amperage draw that maintains the lifespan of your alternator.

Avoid damaging your charging system by replacing your high power consumption halogen and sodium lamps with our green, low energy consumption LED lights.

### SPECIFICATIONS:

Body Material:	Aluminum die casting
Dimensions:	Vary in size
Color:	Gray housing
LED Rating:	50,000 hours
Wattage:	10 - 200 Watts
Lumens	700 - 12000 lm
Voltage:	85 to 260 VAC or 12 to 24 DC
IP Degree:	IP65 = Dust and water
Ambient Temperature Range	-40 + 60C
Spot:	60 degree spread
DC Model Polarity Protected	



10 Watt



20 Watt



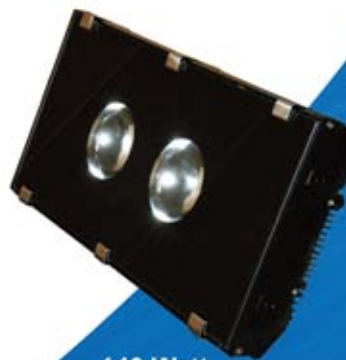
30 Watt



50 Watt



200 Watt



140 Watt

# BRIDGE

LED Bridge Lights



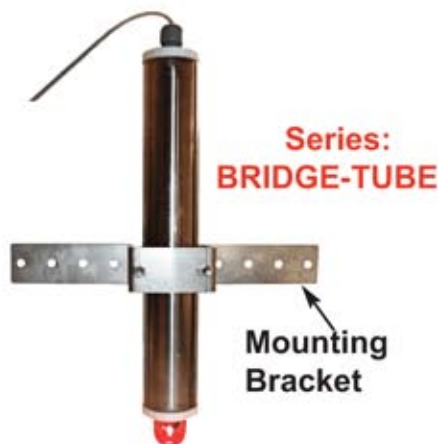
## McDermott LED Bridge Lights

### Easy Installation, Low Cost LED Bridge Light

All stainless steel fittings  
Range from 1 to 3 miles  
Meets Coast Guard regulations for bridge lights  
Mount lights up to 50 feet below bridge  
Innovative mounting configuration for easy installation  
Available in Solar Power

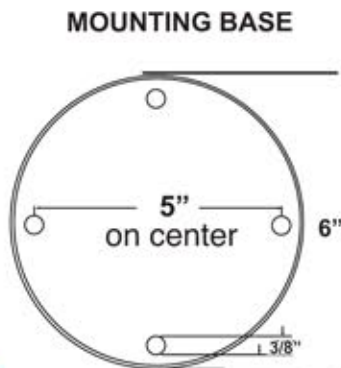
#### SPECIFICATIONS:

Range:	Up to 3 miles
Mount:	Tube mount
Light Source:	LED
Voltage:	12 VDC; 120, 220 VAC
Colors:	Red, Green - 180 screen
Tube Dimensions:	2 1/2" dia. Stainless Steel 6 ft., 8 ft., or 10 ft. lengths



#### PLATFORM LED LIGHT SPECIFICATIONS:

Range:	1 - 5 Miles
Mount:	Pedestal
Light Source:	LED
Colors:	Red, Green
Material:	High-impact polycarbonate
Voltages Available:	12 VDC; 120, 220 VAC
Weight:	5 lbs.
Dimensions:	6" dia. base x 11"h
Battery Consumption:	.350 Ah per night
Mounting:	4 holes on flange





## FAA Certified Solar Light

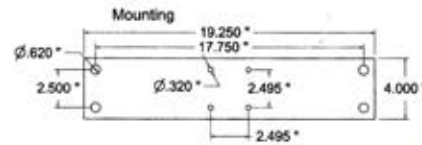
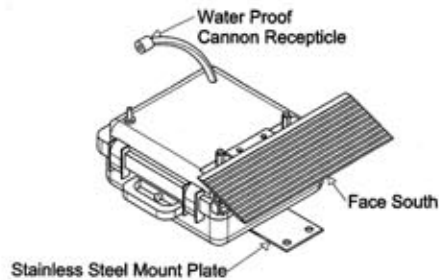
AOTL-KIT-20W-FM

Meets FAA L-810

Voltage: 120 - 240 volts AC

12 - 48 volts DC, also Solar Powered

- \* Weather and corrosion resistant LED assembly and housing
- \* Available in steady or flashing
- \* Operating temperatures: -40° F - 130° F
- \* Shock and vibration resistant



**Solar-powered High-Intensity Red Obstruction light**  
Non-Certified, self-contained



# TOPHAT

Solar LED Lights



## TOPHAT Series Solar Lights

The most versatile, low-cost, solar solution for stand-alone locations. McDermott Tophats combine solar power with LED technology to provide years of maintenance-free operation.

### SPECIFICATIONS:

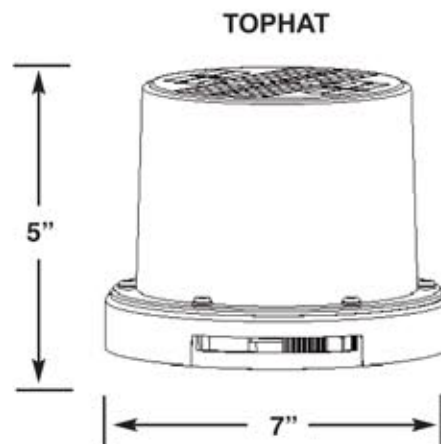
<b>Range:</b>	1-3 miles available
<b>Mount:</b>	Magnetic, FlatP (3 hole mounting) or Pipe
<b>Lamp Source:</b>	High-power LEDs
<b>Material:</b>	High-impact polycarbonate
<b>Power Supply:</b>	NI-MH
<b>Autonomy:</b>	10 nights with no sun
<b>Flash Rates:</b>	10, 15, 30, 60 FPM or steady Also any of the IALA flash codes
<b>Weight:</b>	2 lbs.
<b>Dimensions:</b>	7" (MAG), 7 3/4" dia. (FLATP) x 5" H
<b>Chromaticity:</b>	Meets IALA and 33CFR Subpart 66



TOPHAT-PLAT



TOPHAT-BUNY





**TOPHATX Series  
Solar Lights**

TOPHATX for brighter light and greater visibility. Or for high latitudes, low-solar-energy locations.

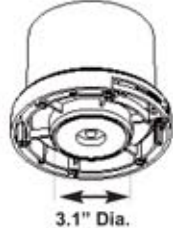


**Mounting Types for  
TOPHAT & TOPHATX**

FLATP  
MOUNT



MAGNETIC  
MOUNT



PLAT  
MOUNT



PIPE  
MOUNT



# BUOYS

Lighted Buoys

## Lighted Buoys

Design your own lighted buoy.  
Combine a McDermott light  
with a high-performance  
polyethylene base.  
Adjust the height to meet your  
specifications.

### BUOY BASE SPECIFICATIONS:

**Material:** Polyethylene - Meets ASTM D4976 Group 2, Class 2, Grade 3  
**Dimensions:** 10" h x 24" dia.  
**Weight:** 20 lbs.  
**Options:** Reflectorized tape, Foam-filled, Extension Collar  
**Shipping:** Can be shipped via standard parcel services for low-cost, fast delivery.



BUOY-B24-TOPHAT



BZDREDGE-BUOY-78-28IN-KIT



BZDREDGE-BUOY-DOUBLE-RED

### Making Your Own Buoy Light Combination:



Light

21" Collar



Buoy



Harness



Clamp

Ready to Deploy



3 Feet Above Water



## SUN4 Series Solar Marker Lights

High Intensity Solar Light for  
Bridges, Channel Markers, Buoys, etc.  
GPS synchronization available

### SPECIFICATIONS:

**Range:** 2 - 6 miles available - (See Chart Below)  
**Lamp Life:** 50,000 - 100,000 hours  
**Material:** UV stabilized polycarbonate  
**Dimensions:** 6" dia. base, 9" square top  
**Voltages:** Solar-powered  
**Mount:** Platform Mount  
**Flash Rates:** 10, 15, 24, 30, 60 FPM or steady.  
 All IALA flash codes available  
 Meets all requirements of 33CFR  
 Subpart 66  
**Standards:** Subpart 66



SUN4-PL



SUN4 -

ENCLOSURE	MOUNT	CONFIG.	MODE	RANGE	FLUX	COLOR	FLASH RATES
*PL *CASE	*FM *PM *MAG	18L11V6C	STEADY FLASHING FLASHING	3NM* 5NM 6NM	.028 .085 .120	WHITE	10, 15, 24, 30, & 60 FPM
PL CASE	FM PM MAG	18L11V6C	STEADY FLASHING FLASHING	3NM 4NM 5NM	.025 .060 .140	GREEN	"
PL CASE	FM PM MAG	18L12V4C	STEADY FLASHING FLASHING	2 5 6	.030 .100 .140	RED	"
PL CASE	FM PM MAG	18L11V4C	STEADY FLASHING FLASHING	3 5 6	.025 .100 .140	AMBER	"

\*PL = PLATFORM MOUNT  
 \*NM = NAUTICAL MILES  
 \*CASE = BLACK BOX

\*FM = FLAT MOUNT  
 \*PM = 1 1/2" PIPE MOUNT  
 \*MAG = MAGNETIC MOUNT

\*SPK = 2 BIRD SPIKES



## McDermott Boatsense Remote Monitoring system

Get a text message on up to three cellphones when trouble conditions arise. A low-cost warning can save thousands of dollars or sometimes much more.

### SPECIFICATIONS:

<b>Multiple zones:</b>	Monitor up to three zones for trouble.
<b>Trouble sensors:</b>	Monitor bilge water, tank levels, battery conditions, smoke and fire, humidity location, intrusion, security and motion.
<b>Voltage:</b>	12 Volts
<b>Dimensions:</b>	1" h x 6" l x 3" w
<b>Weight:</b>	7 oz.
<b>Cellular Service:</b>	U.S. and Canadian versions available.

### Wiring Diagram:



## Solar Bilge Alarm

- Instant notification of emergency conditions
- High-decibel Siren
- High-intensity LED Strobe
- Can accept normally open or normally closed input circuits.
- Easily integrates with McDermott Boatsense Monitoring System.





## Custom Lights



### High Intensity Arc Light

- 2 Million Candlepower
- 3 Amp drain
- 2,000 hour HID Technology
- 5 lbs.; 7"h x 6"l x 12"w

### 9 Solar

- Maintenance-free
- One-mile visibility
- Solar-powered
- Low-cost
- Self-contained
- LED



### Custom BZLED Lights

- High-powered LEDs
- Multiple flashrates available
- Custom configurable
- Many mounting options
- LED

### 9 Series

- Hardwired 12-24 VDC 120VAC
- LED's rated 50,000 hrs for life
- High-impact polycarbonate



### Engine Room Siren Strobe

- Waterproof siren
- Red, flashing, 60 FPM
- Mounting tabs
- 12, 24, 120 Volts

### Driftlights

- Gillnet marker light
- Amber, Red, White, Blue
- 4 weeks on 4 "AA" batteries
- Buoy kit available
- High-impact polycarbonate



### Range Lights

- High-Intensity
- Focused range
- High-visibility
- High-impact polycarbonate
- LED
- Also available as Solar Powered

### Stairway Light

- Available in 12-24 VDC
- Low profile lens
- High-impact polycarbonate



## CUSTOM:

**COLORS:** Red, Green, White, Amber, Blue, Multi

**FLASH:** 15, 30, 60 FPM; Morse Code; IALA

**POWER:** 12, 24 VDC; 120, 220 VAC; Solar

**INTENSITY:** Range 1 - 6 miles

**APPLICATIONS:** Call Us!

**(718) 456-3606**

**Bilge Alarms**  
**Dock Lights**  
**Range Lights**  
**Bridge Lights**  
**Hurricane Lights**  
**Obstruction Marker Lights**  
**Docking Guidance Lights**



# MARINE LIGHTS



**LIGHTS  
TO WORK**



**LIGHTS  
TO WARN**



**LIGHTS  
TO SAVE  
LIVES**



**McDermott Light  
& Signal**

**(718) 456-3606**